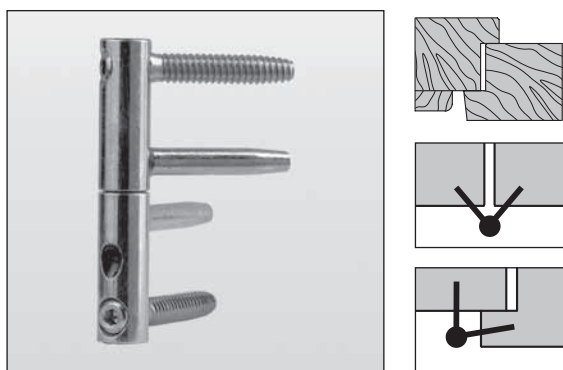


## 3D

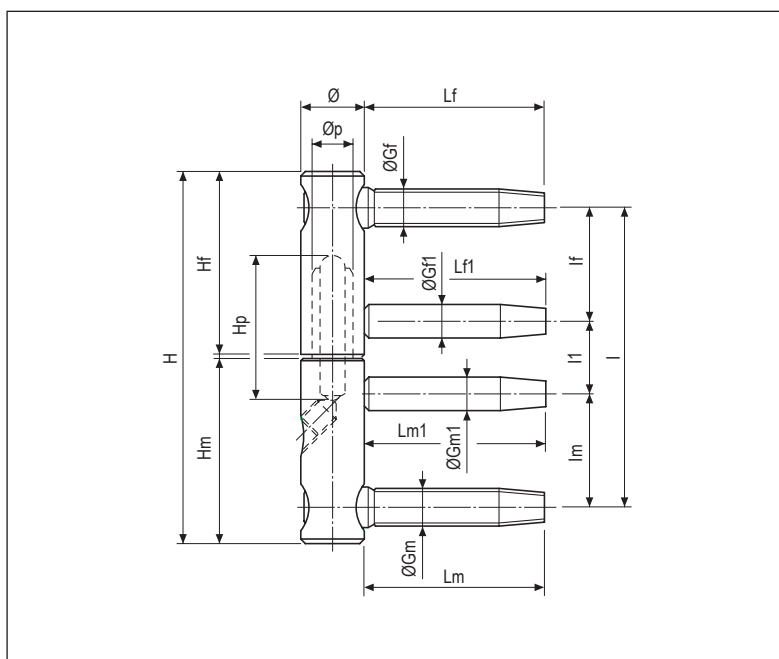


## Description

Adjustable hinge made of galvanised steel, 14 and 16 mm in diameter, featuring threaded pins with 1,8 mm pitch, maximum stripping strength, easily screwed down into wood. These characteristics make it suitable for fire-stop doors.

**Adjustments:** three-dimensional adjustment possible (horizontal, vertical and depth) using a single 4 mm Allen wrench. A 3 mm wrench is used only for the vertical adjustment of the 14 mm diameter hinge.

- ❶ Horizontal adjustment: made by adjusting the threaded pin on the upper body (to hold the sash perfectly plumb).
- ❷ Depth adjustment: made by adjusting the threaded pin on the lower body (to apply the proper pressure to the gasket).
- ❸ Vertical adjustment: 4 mm, through the thrust applied by a tapered screw onto the revolving ball set in the mobile pivot.



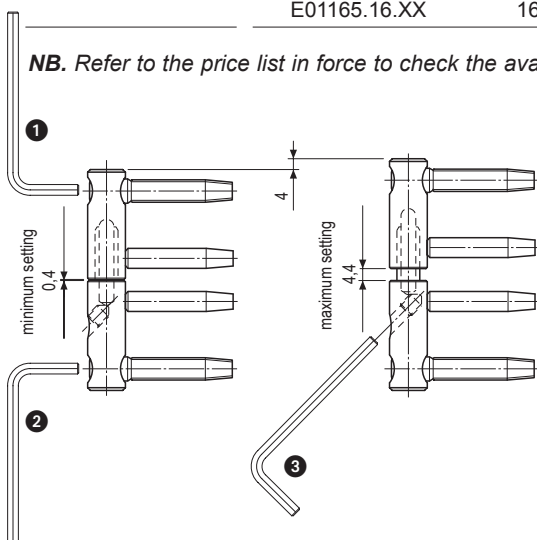
## Hinge measurements

Dimension	E01150 - E01165		E01160
	ø14	ø16	ø16
H	82	82	82
l	66	66	66
Hm	41	41	41
Hf	41	41	41
Øp	8,5	10	10
Hp	31	31	31
ØGm	8,3	8,8	8,8
Lm	39,5	48,5	65
ØGf	8,3	8,8	8,8
Lf	39,5	48,5	65
lm / lf	25	25	25
l1	16	16	16
ØGm1 / Gf1	7,4	7,7	7,7
Lm1 / Lf1	40	50	65

## Order specifications

Material	Article	ø	
STEEL	E01150.14.XX	14	
	E01150.16.XX	16	
	E01160.16.XX	16	65 mm pins
STAINLESS STEEL	E01165.14.XX	14	
	E01165.16.XX	16	

**NB.** Refer to the price list in force to check the availability of the finishes.



## Available covers

Standard model	<b>ABS:</b> Art. E01151 for ø14 - 16 mm
	<b>ALUMINIUM:</b> Art. E21151 for ø14-16 mm
	<b>BRASS:</b> Art. E01159 for ø14-16 mm
Baroque model	<b>BRASS:</b> Art. E01153 for ø14-16 mm

**NB.** For complete dimensions and codes, see the "Covers" chapter.

## INSTALLATION TOOLS ("Jigs" chapter)

## Installation on rebated frame

- Guide tool box article code E00112.16.04
- Guide tool kit article code E00125.16.04
- Single jig article code E00139.16.04
- Jig rod for windows article code E00136.00.09/02
- Jig rod for door-windows article code E00136.00.13/06/21

## Installation on flush frame

- Guide tool box article code E00115.16.04
- Guide tool kit article code E00165.16.04
- Single jig article code E00133.16.04
- Jig rod for windows article code E00136.00.11/04
- Jig rod for door windows article code E00136.00.15/08/23